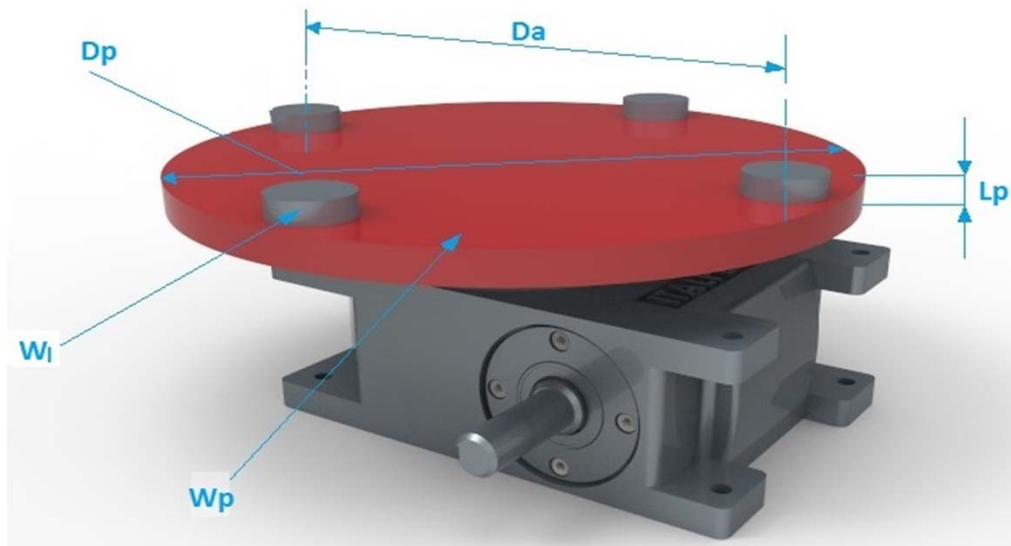


**ROTARY TABLE
DATA SHEET**



Total Inertia	It =
Weight plate	Wp =
Diameter plate	Dp =
or	
Diameter plate	Dp =
Thickness plate	Lp =
Material plate	Mat =
N° of station	N° =
Weight station	Wl =
Diameter of application	Da =
Additional forces ⊥	F1 =
Additional forces //	F2 =

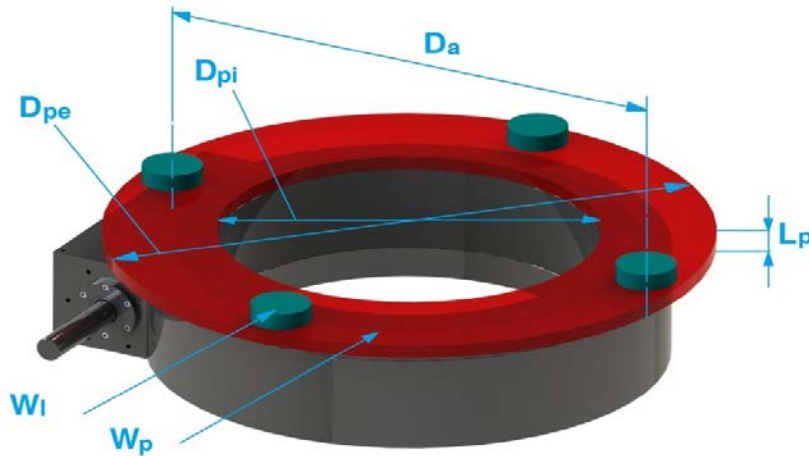
Indexer	Oscillator
or	
High Efficiency Reducer	
Continuous motion	Indexed motion (servo)
Cycle on Demand	
or	
Continuous running	
t. index	ti =
t. dwell	td =
t. cycle	tc =
Frequency of cycle (Cam angle)	Cyc/min = α =

Notes for the loads

Notes for the cycle

Name	Company	Rif.	
Address			
Email (in capital letters)			

TIG DATA SHEET



Total Inertia	It =
Weight plate	Wp =
Diameter plate-internal	Dpi
Diameter plate-external	Dpe =
or	
Diameter plate-internal	Dpi =
Diameter plate-external	Dpe =
Thickness plate	Lp =
Material plate	Mat =
N° of station	N° =
Weight station	Wl =
Diameter of application	Da =
Additional forces ⊥	F1 =
Additional forces //	F2 =

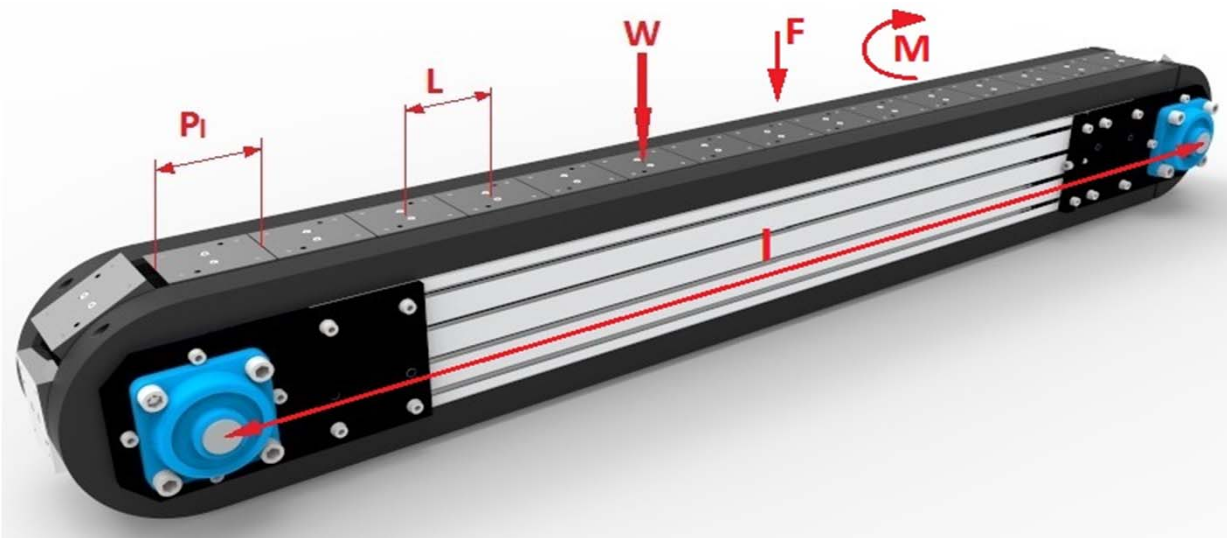
Indexer	Oscillator
or	
High Efficiency Reducer	
Continuous motion	Indexed motion (servo)
Cycle on Demand	
or	
Continuous running	
t. index	ti =
t. dwell	td =
t. cycle	tc =
Frequency of cycle	Cyc/min =
(Cam angle)	α =

Notes for the loads

Notes for the cycle

Name	Company	Rif.	
Address			
Email (in capital letters)			

**PBC
DATA SHEET**



Pallet length	PI =
Center distance	I =
Linear stroke	L =
N° of stops	n =
Load for each pallet	W =
Additional forces	F =
Additional moments	M =
Mounting position	
Over Under	
Carousel	
Vertical	

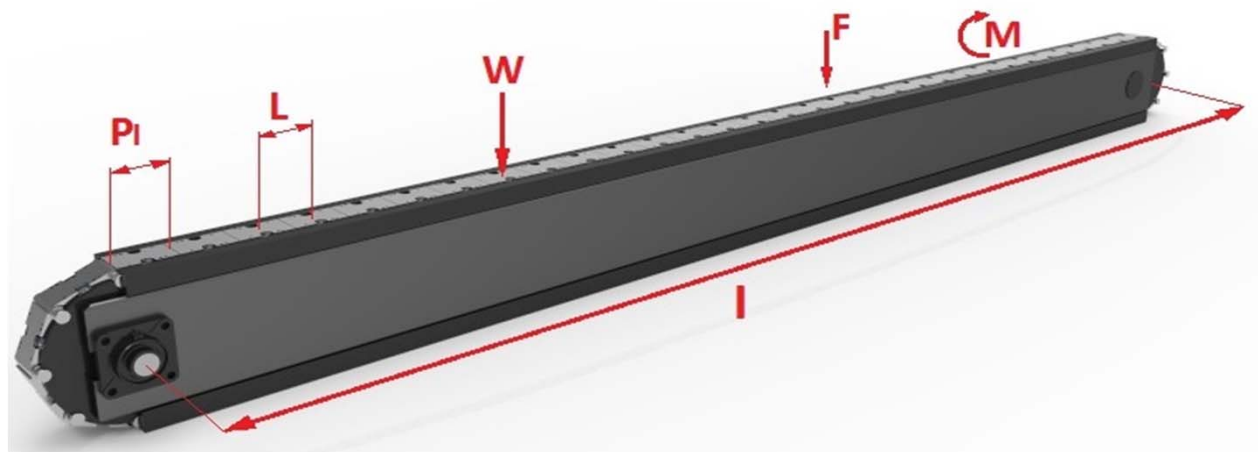
Indexer	
or	
High Efficiency Reducer	
Continuous motion	Indexed motion (servo)
Cycle on Demand	
or	
Continuous running	
t. index	ti =
t. dwell	td =
t. cycle	tc =
Frequency of cycle (Cam angle)	Cyc/min =
	α =

Notes for the conveyor

Notes for the indexer

Name	Company	Rif.	
Address			
Email (in capital letters)			

PLC DATA SHEET



Pallet length	PI =
Center distance	I =
Linear stroke	L =
N° of stops	n =
Load for each pallet	W =
Additional forces	F =
Additional moments	M =
Mounting position	
Over Under	
Carousel	
Vertical	

Indexer	
or	
High Efficiency Reducer	
Continuous motion	Indexed motion (servo)
Cycle on Demand	
or	
Continuous running	
t. index	ti =
t. dwell	td =
t. cycle	tc =
Frequency of cycle (Cam angle)	Cyc/min =
	α =

Notes for the conveyor

Notes for the indexer

Name	Company	Rif.	
Address			
Email (in capital letters)			